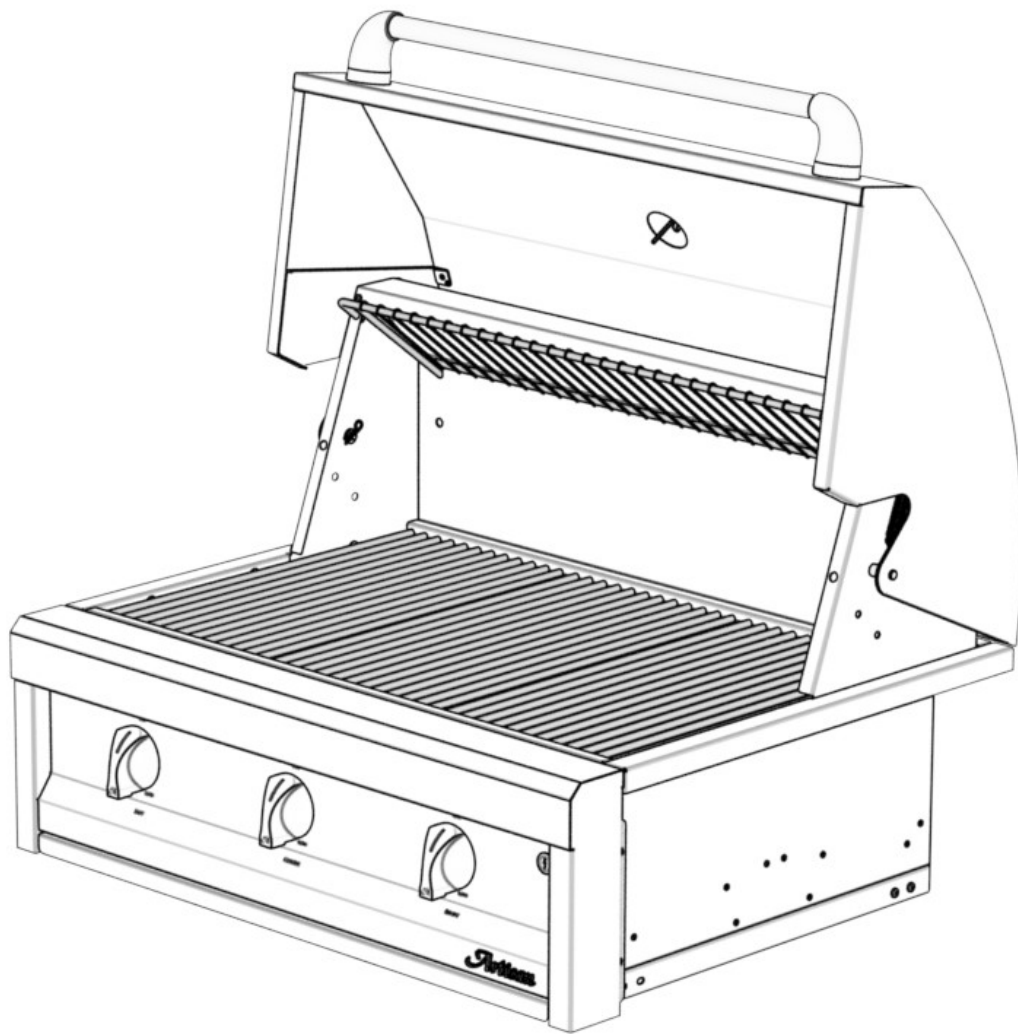


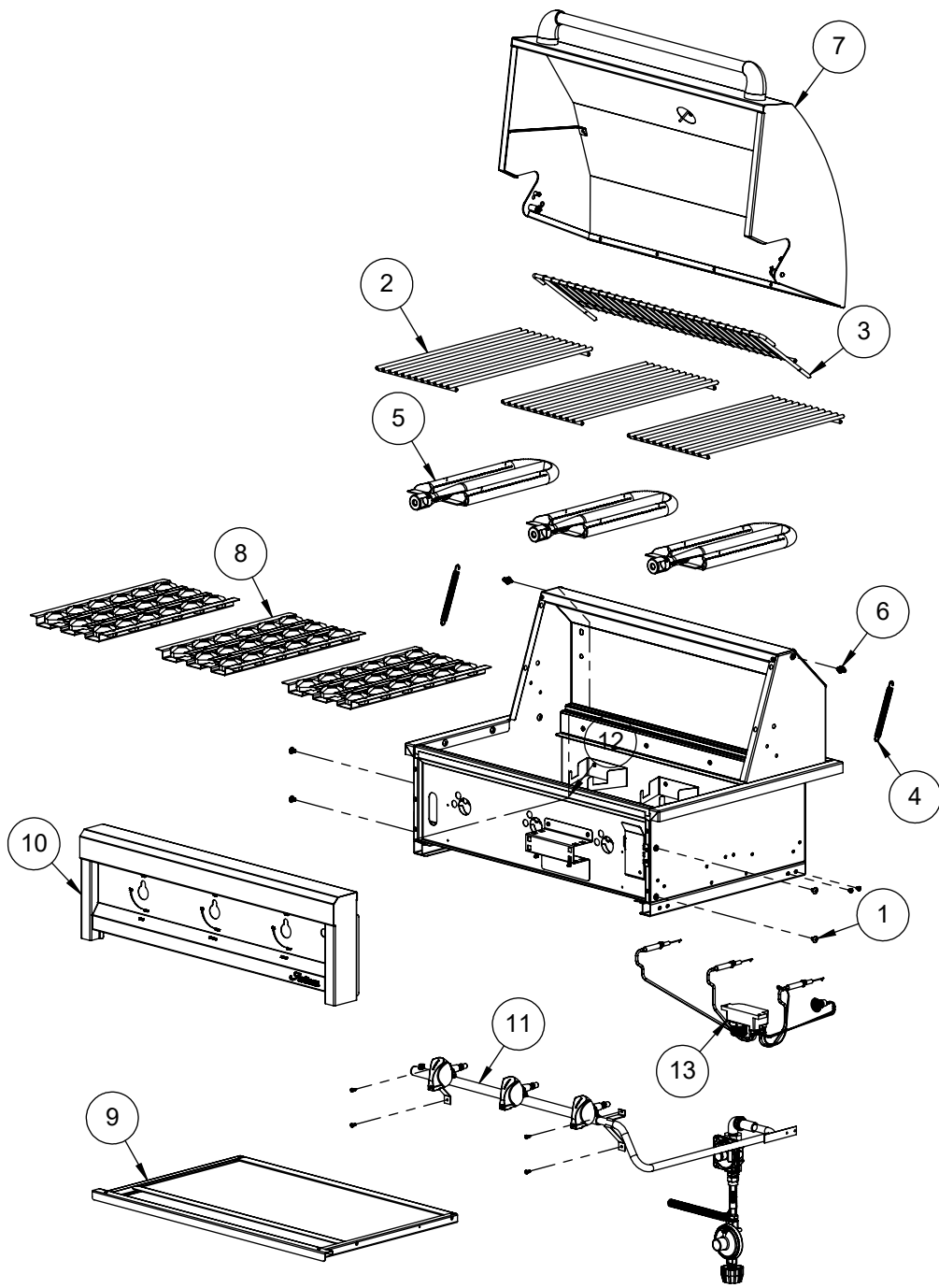
Artisan



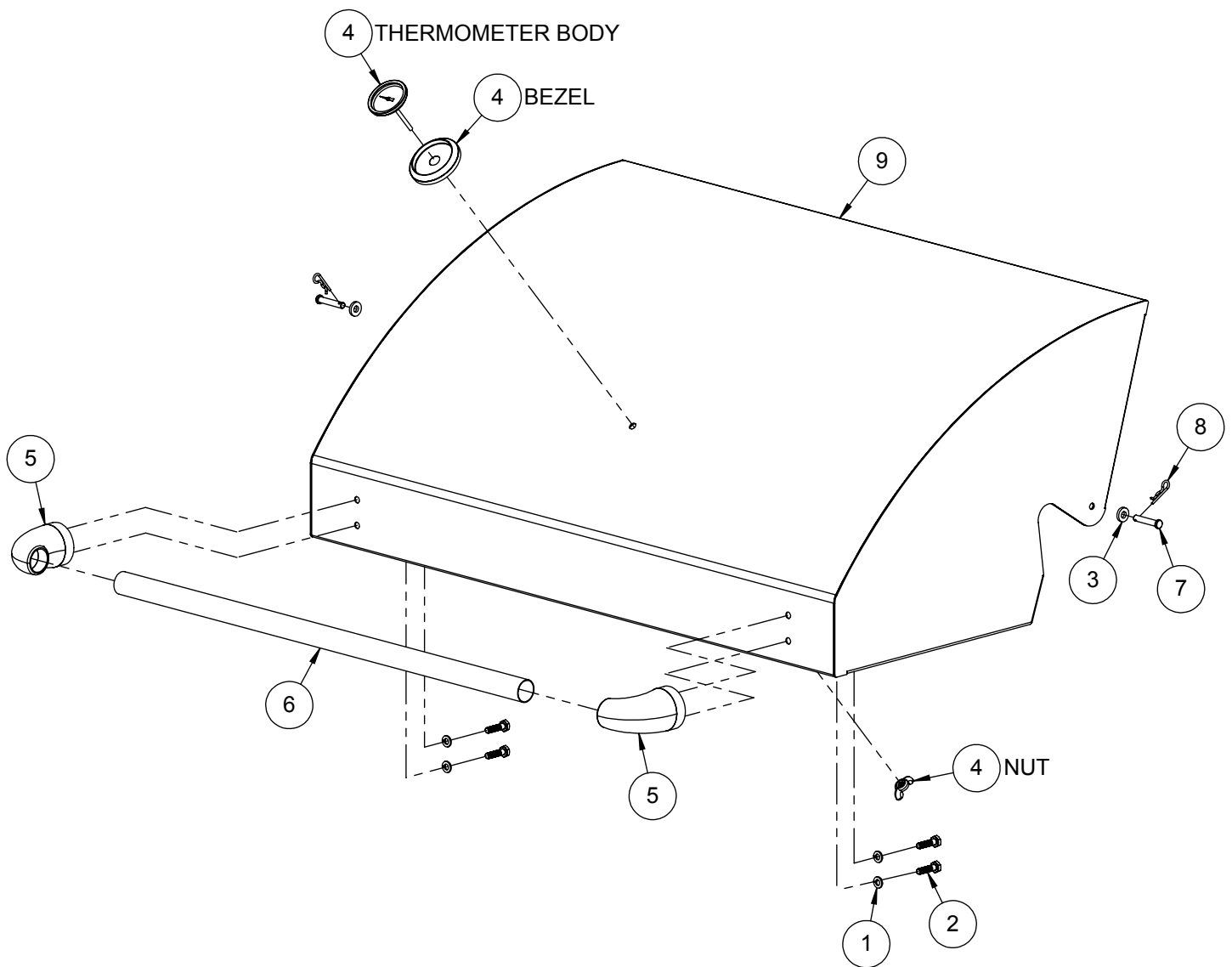
AAEP-32 Parts Manual

BUILT-IN 32" BBQ GRILL WITH THREE BURNERS

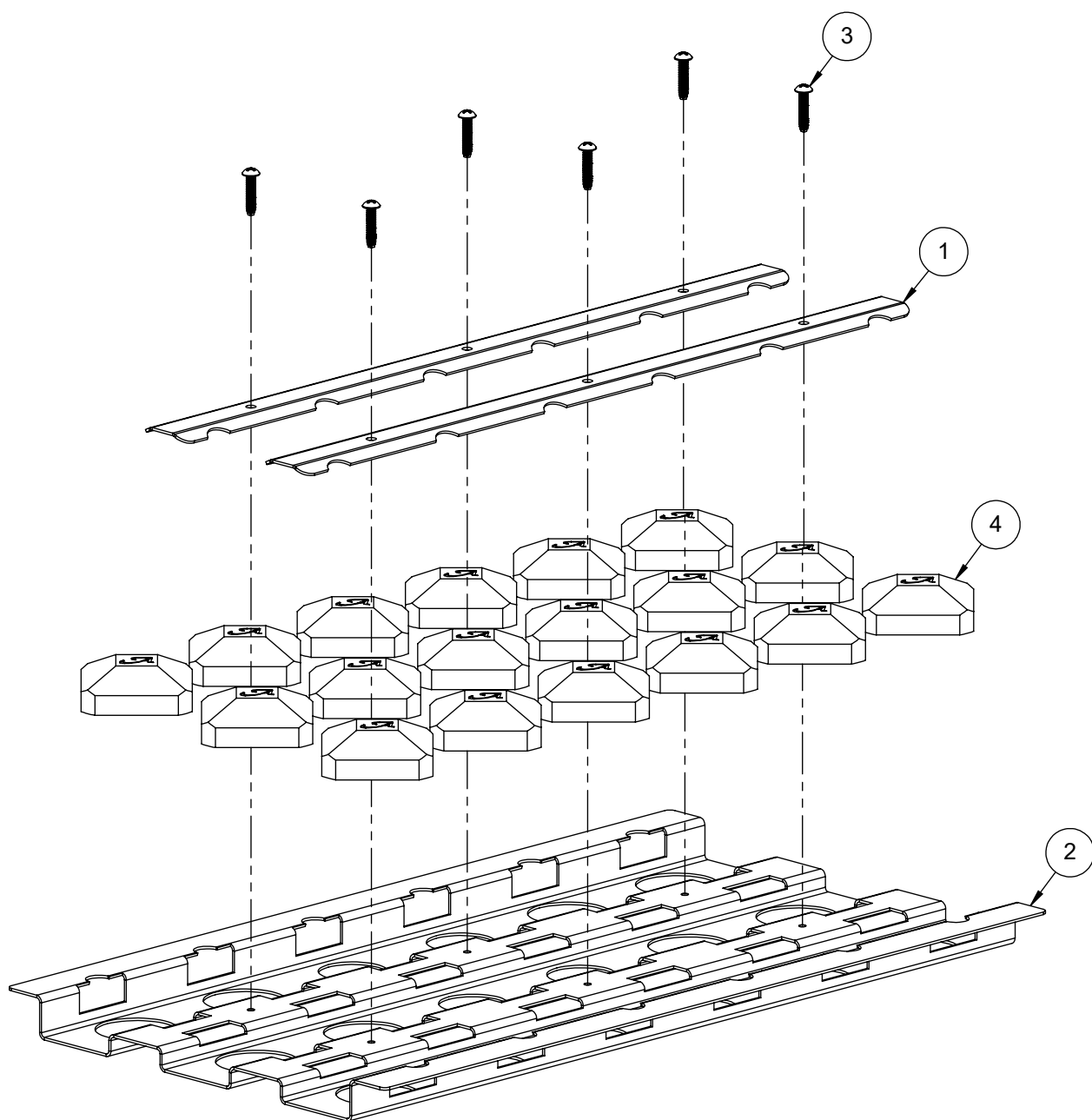
ITEM	PART NUMBER	DESCRIPTION	QTY
1	200-0086	1/4-20 X 3/8 - TRUSS HEAD - PHILIPS SCREW	4
2	290-0323	ARTISAN BBQ GRID - 9.8125" WIDE	3
3	290-0360	ART-32 WARMING GRID	1
4	290-0443	SPRING TEMPERED- .513 OD x 4.875 L	2
5	290-0446	ARTP-32 U-BURNER	3
6	290-0447	ARTP HOOD SPRING LATCH	2
7	510-1017	ARTP-32 FRONT HOOD ASSEMBLY	1
8	510-1025	BRIQUETTE TRAY ASSEMBLY - 9-3/4"	3
9	510-1029	ARTP-32 GREASE TRAY ASSEMBLY	1
10	510-1033	AAEP-32 FRONT PANEL	1
11	510-1082	AAEP-32 GAS MANIFOLD	1
12	510-1083	AAEP-32 BBQ MAIN BODY	1
13	510-1084	AAEP-32 IGNITER COMPONENTS	1



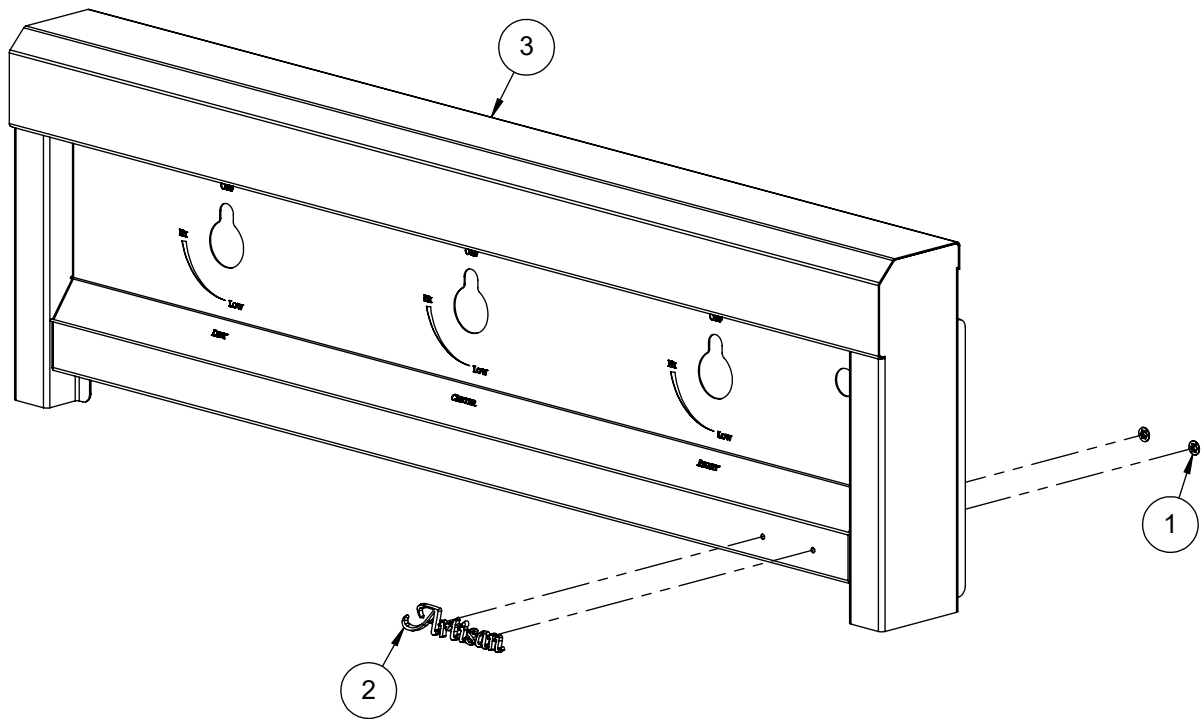
ITEM	PART NUMBER	DESCRIPTION	QTY
1	200-0087	WASHER - 1/4" SPRING LOCK- REGULAR - SS	4
2	200-0091	HH- HD - 1/4-20 x 1 x .75 THREAD	4
3	200-0092	1/4 X 1/8 X 5/8 FLAT WASHER - SPACER	2
4	210-0490	ARTISAN THERMOMETER ASSEMBLY	1
5	290-0063	HANDLE - END CAP ASSEMBLY	2
6	290-0316	ARTISAN 32" BBQ - FRONT HOOD HANDLE BAR	1
7	290-0445	CLEVIS PIN - 1/4"Ø x 1-3/8	2
8	290-0448	COTTER PIN - HAIRPIN 1/4" ~ 3/8" Pin Ø x 1-1/4" L x 5/64" WIRE	2
9	510-1018	ARTP-32 FRONT HOOD - WELDED PARTS	1




ITEM	PART NUMBER	DESCRIPTION	QTY
1	100-1895	ALX2 - BRIQUETTE LOCK BAR	2
2	100-2669	ARTP - BRIQUETTE TRAY BASE	1
3	200-0312	SCREW 8-32 x 3/4" - PAN HEAD - PHILLIPS - THREAD CUTTER TYPE F	6
4	265-0005	BRIQUETTE - ALFRESCO CUSTOM	18

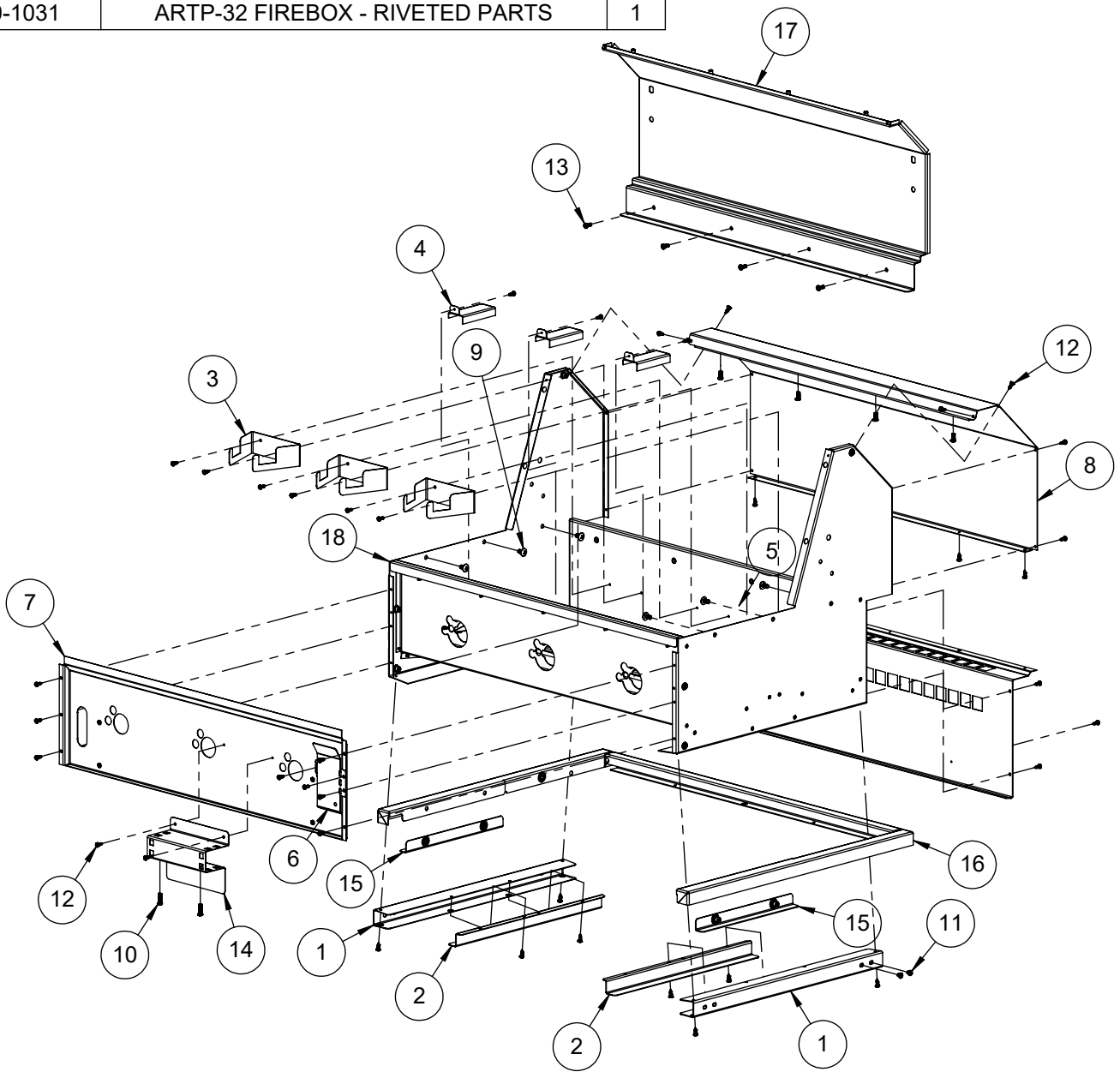


ITEM	PART NUMBER	DESCRIPTION	QTY
1	200-0093	WASHER - PUSH LOCK 1/8" ID X 3/8" OD (LOGO)	2
2	290-0356	ARTISAN LOGO	1
3	510-1034	AAEP-32 FRONT PANEL - WELDED PARTS	1



 SUPERIOR EQUIPMENT SOLUTIONS 7039 EAST SLAUSON AVENUE COMMERCE, CA. 90040	THE INFORMATION CONTAINED IN THIS DRAWING IS THE SOLE PROPERTY OF SUPERIOR EQUIPMENT SOLUTIONS INC. ANY REPRODUCTION IN PART OR AS A WHOLE WITHOUT WRITTEN PERMISSION FROM SUPERIOR EQUIPMENT SOLUTIONS, INC. IS PROHIBITED.	PROJECT TITLE: AAEP-32	DRAWING NO.: 510-1033M
	DRAWN BY: N SILCOCK CREATED: 8/23/2016 2:20:55 PM	DRAWING TITLE: AAEP-32 FRONT PANEL	SHEET 1 OF 1

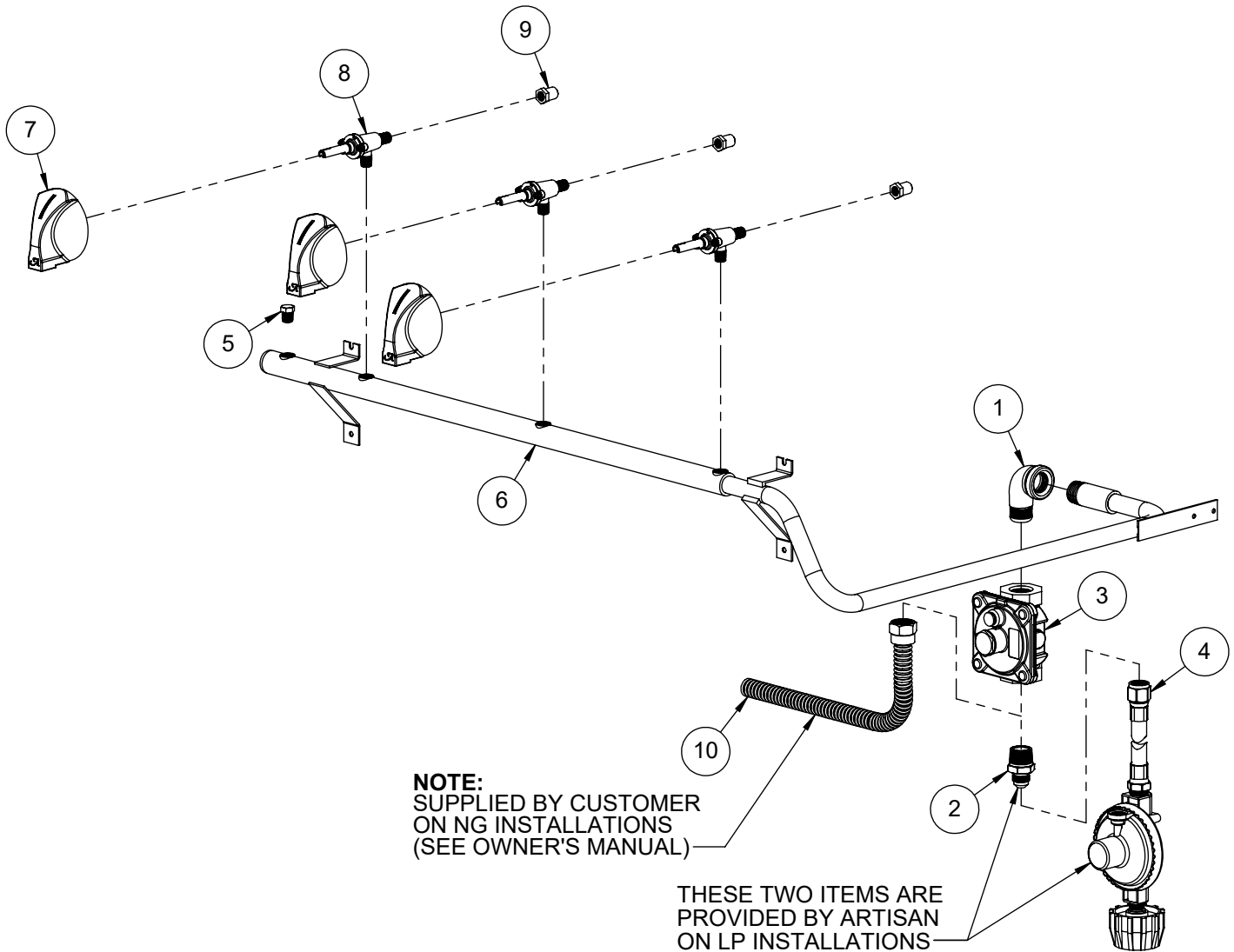
ITEM	PART NUMBER	DESCRIPTION	QTY
1	100-2024	FIREBOX TRAY SLIDE PART-A	2
2	100-2025	FIREBOX TRAY SLIDE PART-B	2
3	100-2373	ART - BURNER BRACKET	3
4	100-2374	ART - IGNITER COVER - STANDARD	3
5	100-2421	AAE-32 FIREBOX REAR COVER	1
6	100-2666	ARTP BUTTONS SHIELD - BRACKET	1
7	100-2675	ARTP-32 FIREWALL	1
8	100-2703	AAEP-32 BACK HOOD - REAR COVER	1
9	200-0057	SCREW 1/4-20 X 1/2 - TRUSS HEAD - PHILLIPS	6
10	200-0062	10-32 X 3/4 - PAN HEAD - PHILLIPS SCREW	2
11	200-0082	10-32 X 1/4 - PAN HEAD - PHILIPS SCREW	2
12	200-0111	SCREW 8-18 X 1/2 - SELF TAP - 410 SS	53
13	200-0267	10-32 X 1/2 - PAN HEAD - PHILLIPS SCREW	8
14	510-0567	ARTISAN IGNITER BRACKET	1
15	510-0748	ART - PERIMETER MOUNTING BRACKET	2
16	510-0752	ART2-32 PERIMETER RING	1
17	510-0781	AAE-32 BACK HOOD INSIDE PANEL	1
18	510-1031	ARTP-32 FIREBOX - RIVETED PARTS	1



ITEM	PART NUMBER	DESCRIPTION	QTY
1	200-0274	ELBOW 90° - CAST IRON - 1/2" FPT x 1/2" MPT	1
2	220-0275	NIPPLE - 1/2" MPT X 3/8" OD FL	1
3	220-0280	REGULATOR GAS - MAXITROL RV48CL440002	1
4	220-0301	REGULATOR - LP GAS W/36" HOSE - CONN. GREEN	1
5	220-0434	PLUG 1/8"x27 NPT - BRASS - HEX HEAD HOLLOW	1
6	220-0469	GAS MANIFOLD - ARTP-32	1
7	290-0030	ARTISAN GAS KNOB WITH "A" LOGO	3
8	290-0320	VALVE - GAS - VARIABLE FLOW - 1/8-27 MPT X 1/8-27 NPTS	3
9	SEE NOTE	ORIFICE - MAIN BURNER - (SEE NOTE FOR SIZING)	3
10	SEE NOTE	1/2" ODF - FLEX SS GAS LINE (BY CUSTOMER)	1

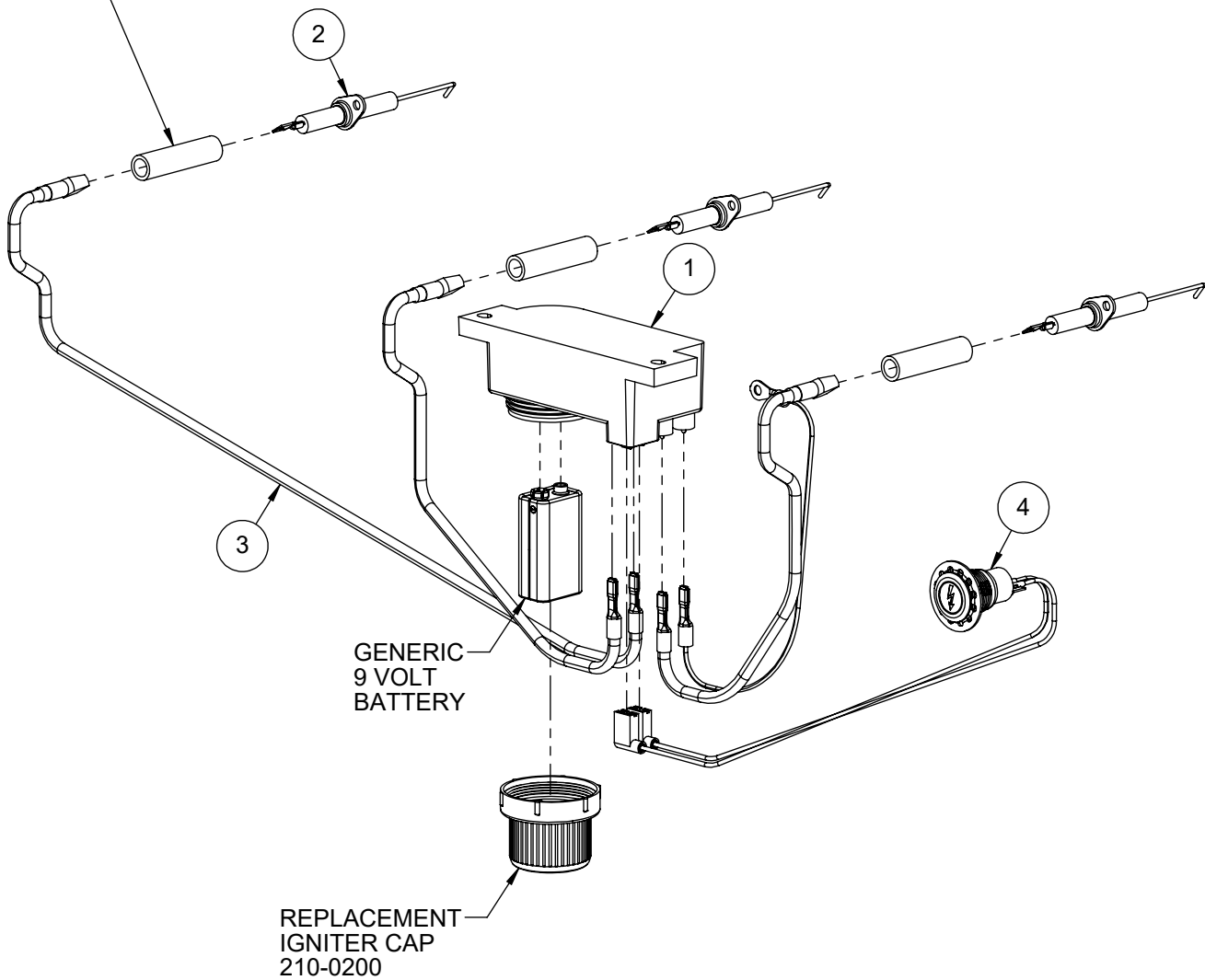
NOTE: ORIFICE OR VALVE ASSEMBLY TO CHANGE ACCORDING TO FUEL SUPPLY: NATURAL GAS OR LIQUID PROPANE

ITEM	NG	LP
	PART #	PART #
9	220-0283	220-0284



ITEM	PART NUMBER	DESCRIPTION	QTY
1	210-0194	IGNITER MODULE - 4 POINTS (WITH CAP)	1
2	210-0491	ARTISAN U-BURNER ELECTRODE TIP	3
3	210-0546	AAE-36 IGNITER WIRE KIT	1
4	210-0586	SWITCH - IGNITION - MOMENTARY [ON]/OFF	1

NOTE: SILICONE INSULATION SLEEVES ARE PART OF
IGNITER WIRE KIT 210-0546 (NOT SOLD SEPARATELY)



GENERIC
9 VOLT
BATTERY

REPLACEMENT
IGNITER CAP
210-0200