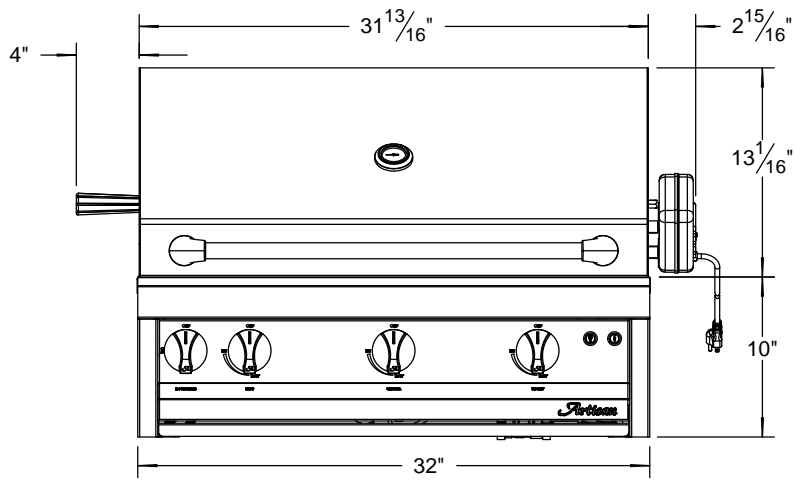
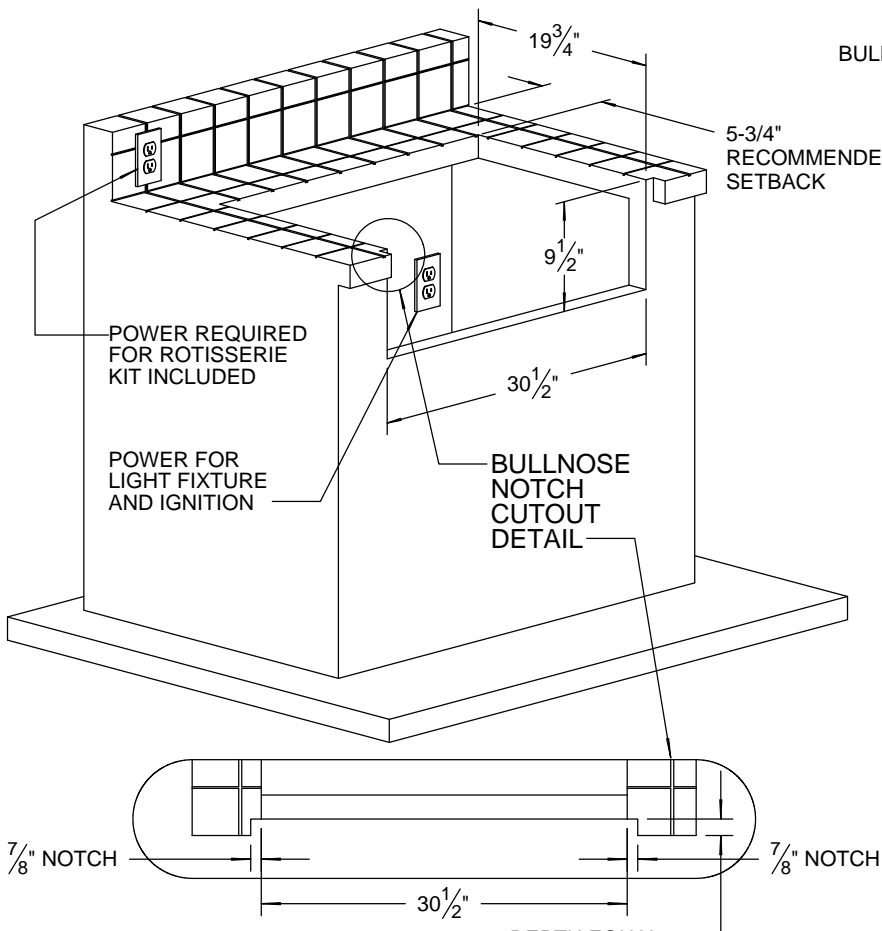


**TYPICAL ARTP-32 INSTALLATION**

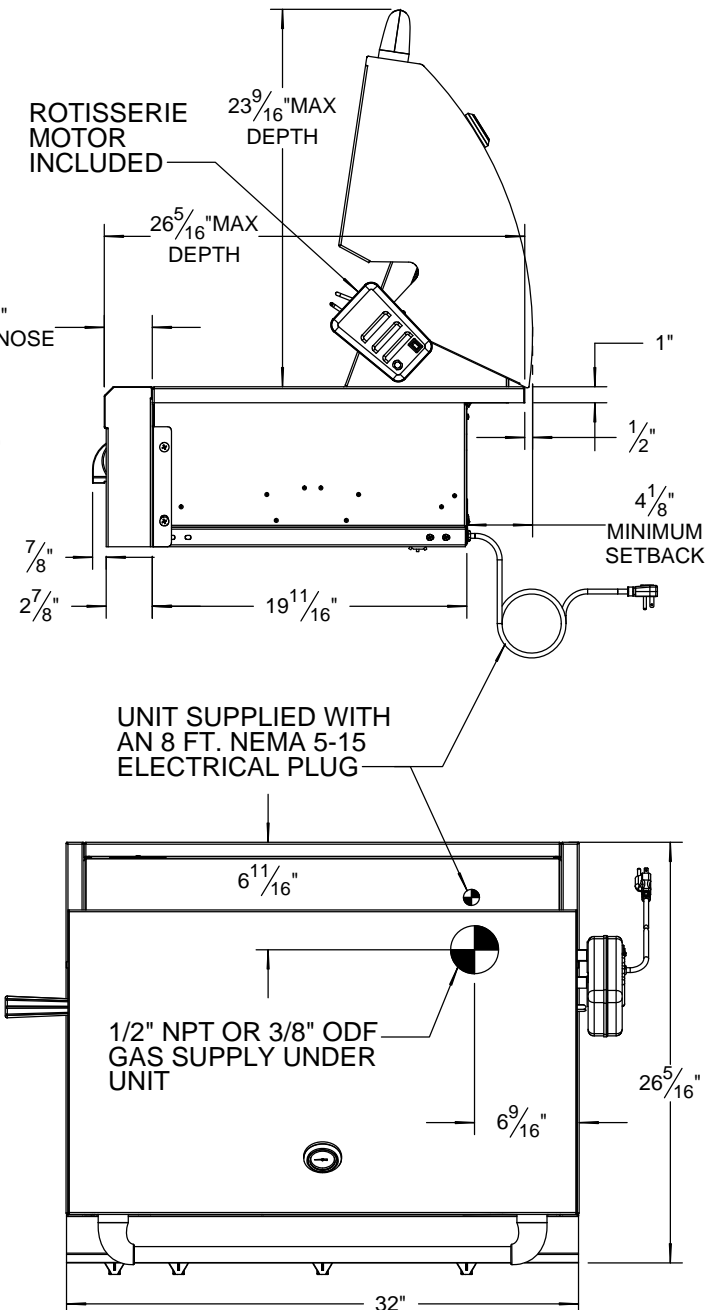


**COUNTERTOP CUTOUT REQUIREMENTS**



**SPECIFICATIONS:**

BTUH = 75,000  
 FUEL NG @ 5 W.C. / LP @ 10" W.C.  
 ELECTRICAL POWER: 115 VAC / 0.71AMPS / 60 Hz.  
 GAS CONNECTION: 1/2" NPT (NG) OR 3/8" ODF (LP)



**NOTE:**  
 COUNTER MUST HAVE THE PROPER GAS SUPPLY AND ELECTRICAL POWER FOR YOUR ARTISAN BBQ.



THE INFORMATION CONTAINED IN THIS DRAWING IS THE SOLE PROPERTY OF SUPERIOR EQUIPMENT SOLUTIONS INC. ANY REPRODUCTION IN PART OR AS A WHOLE WITHOUT WRITTEN PERMISSION FROM SUPERIOR EQUIPMENT SOLUTIONS, INC. IS PROHIBITED.  
**DRAWN BY:** Jorge Pelayo  
**CREATED:** Monday, March 07, 2016

**PROJECT TITLE:**  
**ARTISAN GRILLS**  
**DRAWING TITLE:**  
**ARTP-32 SPECIFICATIONS**

**DRAWING NO.:**  
**ARTP-32 SPEC SHEET**  
 SHEET 1 OF 1